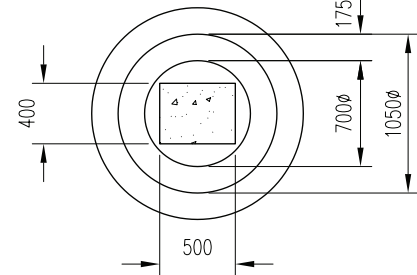
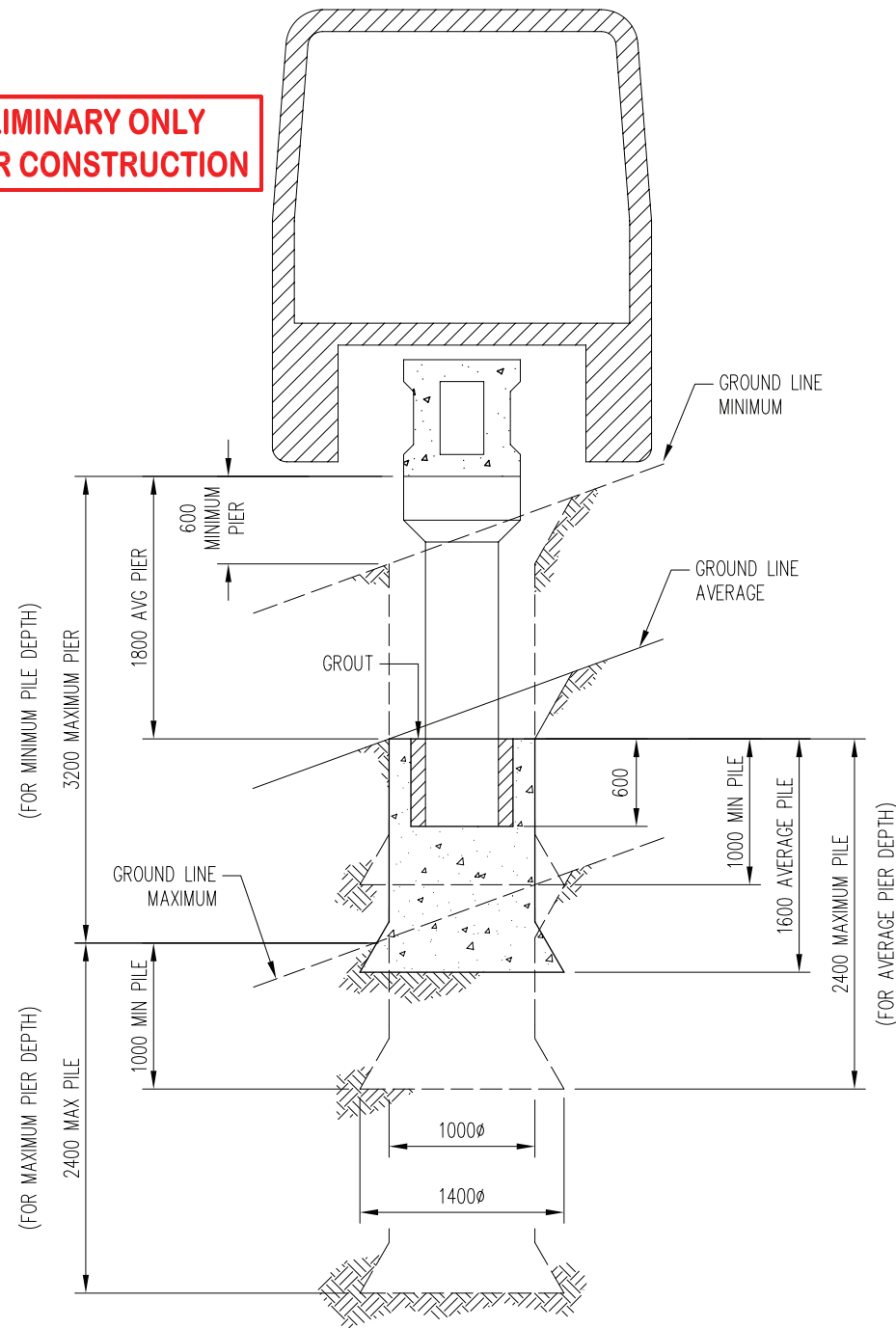


DRAWING NO. 94475-SK1

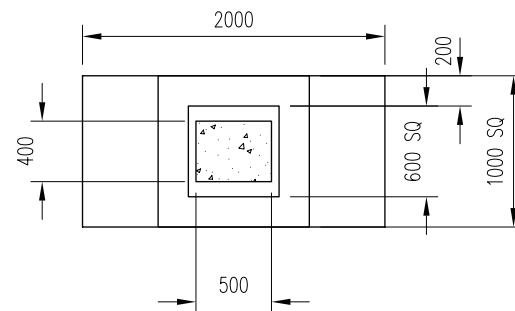
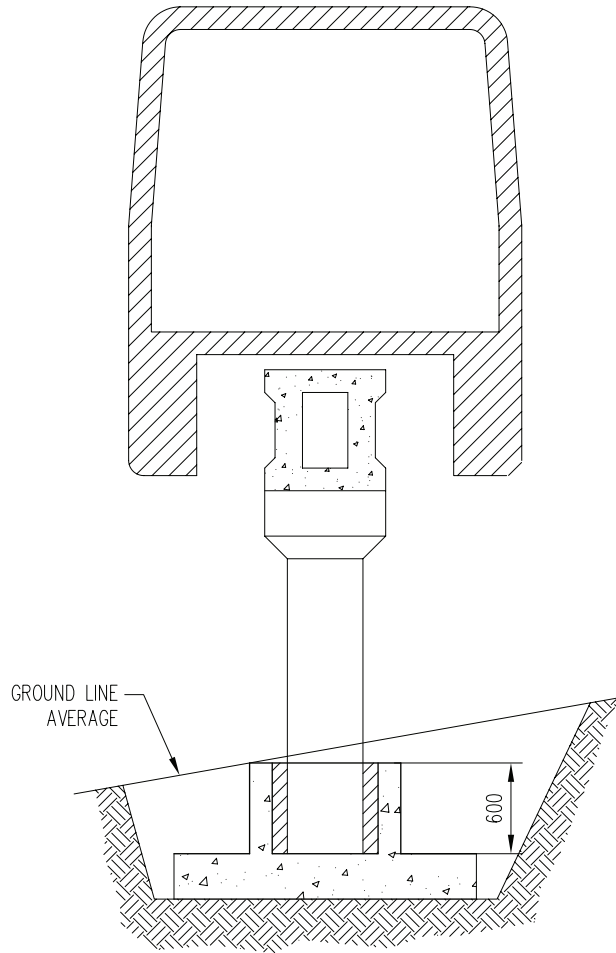
PREPARED BY:
AC CONSULTING GROUP LTD
P.O. BOX 2934, WELLINGTON

COPY RIGHT © AC CONSULTING GROUP LTD. 2003
ALL RIGHTS RESERVED. UNAUTHORISED REPRODUCTION PROHIBITED

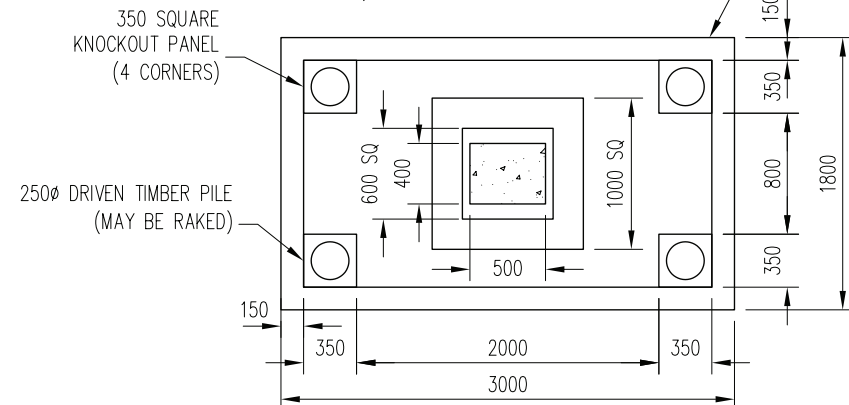
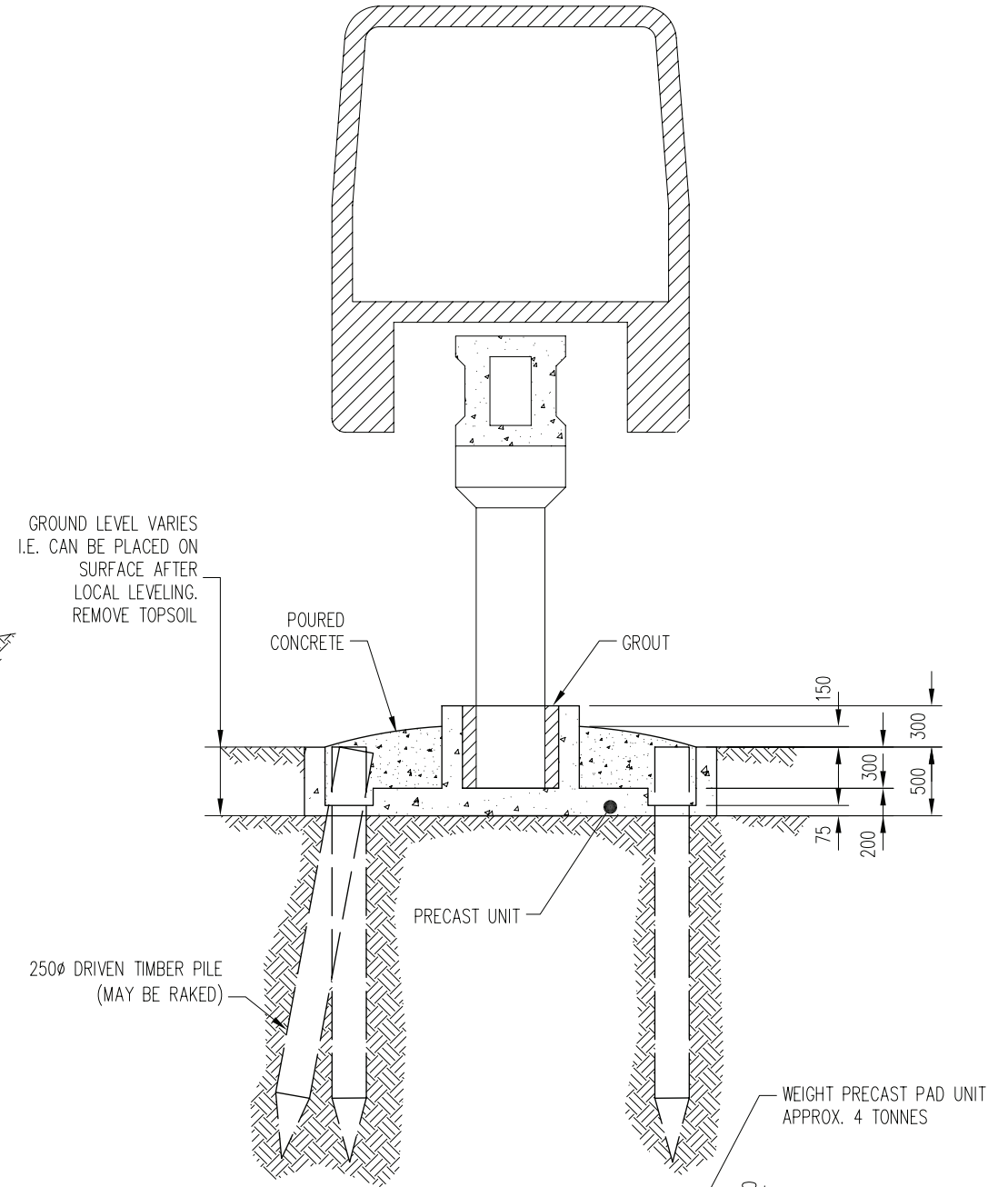
**PRELIMINARY ONLY
NOT FOR CONSTRUCTION**



BORED PILE
STANDARD SOLUTION AND
VARIATIONS



PAD
(VARIATIONS TO PIER HEIGHT AS
FOR BORED PILE)



PRECAST PAD FOR DRIVEN TIMBER PILES
FOR WET/SOFT SURFACE SITUATIONS
(VARIATIONS TO PIER HEIGHT AS FOR BORED PILE)

REV	Description	DGN	DATE	DWN	DATE	CHKD	DATE	QC	DATE	APP	DATE	DESIGNED	DATE	DRAWN	DATE	CHECKED	DATE	QC CHK'D	DATE	APPROVED	DATE	
A	ISSUED FOR DISCUSSION	IS	07/03	JGH	07/03							I STEWART	06/03	S.L. FEARNLEY	06/03							
B	WAS MODE 2 MONORAIL	IS	07/03	JGH	07/03																	
C	ISSUED FOR MODE 3 MONORAIL - PRECAST PAD DETAIL ALTERED.	IS	11/03	JGH	11/03																	
D	ISSUED FOR EIA	IS	5/04	SJW	5/04																	

PREPARED BY
AC
AC Consulting Group
Consulting Engineers
P.O. BOX 2934
WELLINGTON
TEL: 472 5377
FAX: 472 5423

RIVERSTONE HOLDINGS LTD
PO BOX 300
WAIKANA

STEWART CONSULTING SERVICES
2 GRAHAM STREET
DUNEDIN
PH 027 4303 533

THE FIORDLAND LINK EXPERIENCE

MODE 3 MONORAIL
FOUNDATION TYPES

ORIGINAL SCALE	1:50
DRAWING NO.	94475 SK1 D
JOB No	10
SHEET No	REV